



**DULEVO**  
FAYAT GROUP



**6000**  
Street Sweeper - USA



# Efficiency everywhere

The only sweeper in the world that combines manoeuvrability, economy and reliability with superior sweeping quality.



## Savings in consumption of water

Water use is limited to dust removal on the outer brushes.

## 12 months of use

The possibility of sweeping without the use of water allows work even in periods of low outside temperatures.

## High efficiency of filtration

Dust filter for constant and effective filtration in all conditions.

## No limit of sweeping

Light, heavy and even bulky material can be collected.





## Reduced impact environmental impact

The Dulevo 6000's high technology and latest-generation motorisation allows for an environmentally friendly machine.

### Reduced consumption of water

Dulevo's mechanical vacuum system allows the machine to work while drastically reducing water consumption.



### Low emissions of fine dust

EN15429 certified filtration system. Possibility of fitting Gore filters to increase performance.



### Low consumption fuel consumption

Electronic transmission and high sweeping speed.





# Designed for People

A comfortable and pleasant sweeper to use even after many hours of work.



## Pressurisation system

The pressurisation system by means of filtered air supply maintains a clean and comfortable working environment inside the cabin.

## Extremely low noise level

The small size of the powerful intake turbine, plus its positioning and appropriate shielding, reduce the noise level of the vehicle to extremely low levels.

## Intuitive controls

with large glass surfaces and simple, intuitive controls.



# Efficiency and low consumption

It guarantees the highest levels of performance in every context, with lower water and fuel consumption.

## Reduction of preparation for work

The limited use of water, or the absence of its use, makes it possible to drastically reduce or even eliminate the H<sub>2</sub>O replenishment time required in conventional systems for PM 10 & 2.5 and dust abatement (double cost).

## High performance of sweeping for high productivity

Twice the sweeping speed compared to conventional technologies. Wide sweeping track.

## Savings in water consumption and fuel consumption

The use of water is limited to dust removal on the outer brushes, with the possibility of working without water.

Unmatched ratio of fuel consumption to swept area.



# Application

a variety of applications allows customers to find the right answer to their needs.



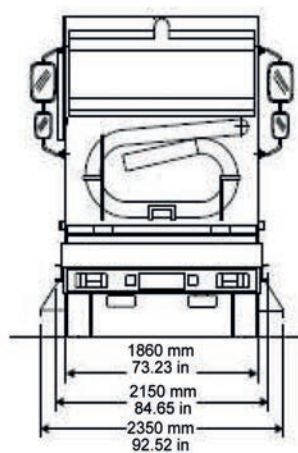
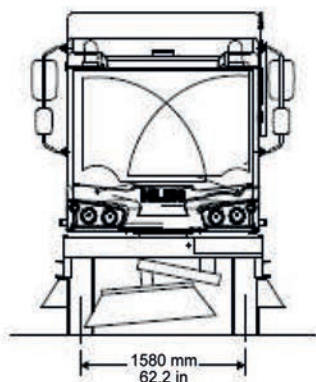
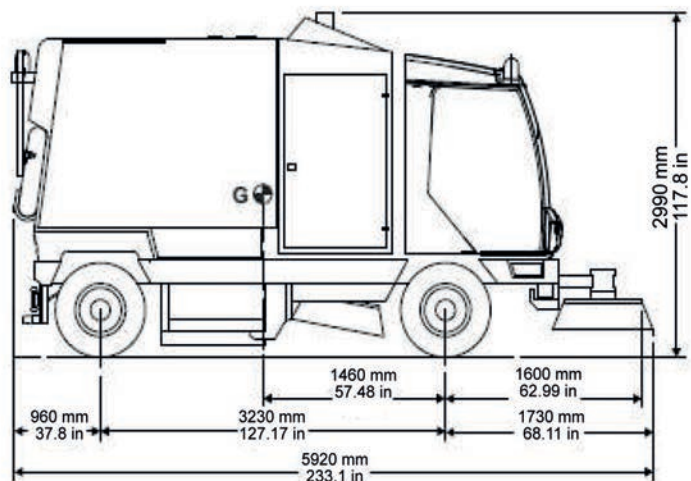
## Industry

Dulevo International appeals to the heavy industry market as well as mining sector as the only proven manufacturer of a dry sweeping system, thanks to its patented mechanical-suction collection system. Dulevo's system benefits the end user by : Achieving a higher standard of plant cleanliness, Up to three times higher speed cleaning compared to any other sweeper on the market, a completely dry sweeping which permits a total reclaim of the picked up material, saving huge sums of time and money in labour costs and absolute adherence to modern environmental laws.

## Dumping Height

For the American market, Dulevo designed a specific optional in order to accomplish US standards for street sweepers. Dumping height can vary from 45.3 inches to up to 118.11 inches, facilitating therefore the unload of the collected debris in a high-capacity container.





Technical data		6000	6000 High Dump
Sweeping width			
- With central brush	in	51,2 (mm 1300)	
- With central brush and side brushes	in	102,4 (mm 2600)	
- With central, side brushes and third brush	in	137,8 (mm 3500)	
Container volume	yd <sup>3</sup>	6,1 (m <sup>3</sup> 4,68)	
Dumping height	in	45,3 (mm 1150)	118.2 (3000mm)
Dumping height (OPT)		90,6 (mm 2400)	-
Seats in the cabin	n°	2 (3)	
Cleaning performance	ft <sup>2</sup> /h	11298000 (m <sup>2</sup> /h 105.000)	
Steering diameter -kerb to kerb	in	31,6 (mm 9360)	
Maximum speed	mph	20 (Km/h 32,2)	
PM Certification		PM 2,5/ PM10****	
Engine Brand		FPT industrial (Iveco)	
Engine emissions		TIER 4 Final	
Fuel		DIESEL	



Specifications are not binding for our company and subject to change at any time without notice..



# **DULEVO**

**FAYAT GROUP**



Dulevo International S.p.A.  
Via Giovannino Guareschi, 1  
43012 Fontanellato (PR) Italia  
Tel: +39-0521-827711  
Fax: +39-0521-827795  
[www.dulevo.com](http://www.dulevo.com)